

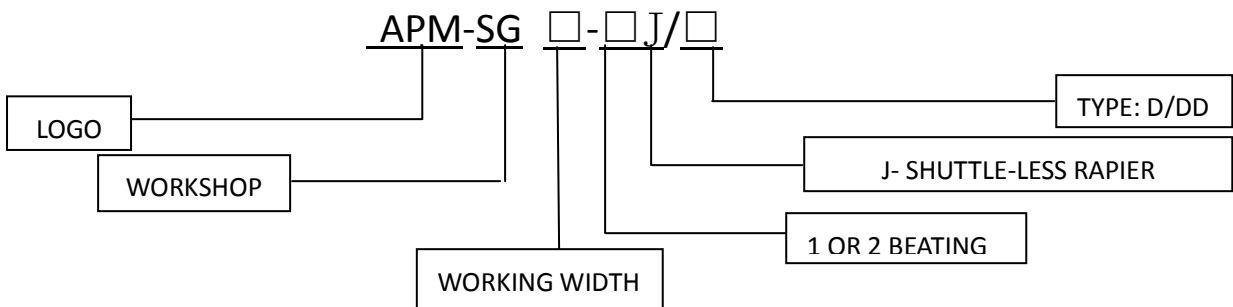


Established 1983 in Shijiazhuang City Hebei Province R. P. China

WIRE WEAVING LOOM MODEL SG



Machine type



HEBEI ZONGHANG MACHINERY MANUFACTURING CO., LTD

Tele: 0086 311 66792193/97 Fax: 0086 311 66792192 www.wiremeshmachineschina.com; www.apmwiremeshmachine.com

THE WIRE WEAVING LOOM MODEL

SG

Serves for the production of medium-strong up to the strongest fine weaving. This model is generally arranged for a weaving range of 10-80mesh per inch. but if desired can also be provided with change wheels for adjustment to No 5 per inch. Furthermore the production of Hollander cloth to No 300 is possible by the supply of change wheels for the regulators. However full PLC control are save the progress to change the wheels and servo motor control to come true. Square opening range: 0-200mesh and Hollander weaving:

The machine adopts technique of shuttle-less and straightaway weft leading, automatic warping feeding and winding. Shedding is small and surface of woven screens are smooth. And there is not any bright spot, bright trace and other defects on fine screens. For this reason the loom

can also be equipped the different thickness of the rapier head so that weaving width wire diameter up to 0.8mm is made possible.

This loom produces plain cloth and by the provision of suitable extra equipment can also make four shaft twill weaving. In particular on this loom model SG. Filter cloth from stainless steel is produced. Furthermore, however, the loom is very suitable for the production of spring steel weaving for vibrators, also Hollander cloth in which the weft wires are right together and the warp wires suitably spaced. In addition model SG is frequently used as a paper machine wire loom for producing paper machine wires in the smaller widths up to about 6mtr. Finally we would mention asbestos covered wire weaving of packing which may also be produced on model SG.



HEBEI ZONGHANG MACHINERY MANUFACTURING CO., LTD

Tele: 0086 311 66792193/97 Fax: 0086 311 66792192 www.wiremeshmachineschina.com; www.apmwiremeshmachine.com



Technical Details

Weaving Range: 10 to 80mesh per inch, special equipment down to 5 and up to 200mesh per inch by the supply of change wheels for the regulators

Full PLC control equipment is to do 0-200mesh freely.

Wire Diameter: up to 0.8mm

For accurate wire diameter range see the chart

Weaving Width: 1000mm up to, with strengthening for still large widths.

Kinds of Weaving: Plain weaving and with extra equipment four-shafts twill

Wire Material: Iron, stainless steel, spring steel, copper, brass, bronze, aluminum, plastic asbestos.

Picking Speed: adjust freely by the frequency see chart

Drive: by electromagnetic motor making about 950r.p.m. (motor output according to width, see chart). Friction clutch with four V-belts 17x11; if desired equipment with geared flywheel clutch for power return of slay.

Beaming Drive: by worm gears through servo motor

Beaming Speed: about 25m/min (82ft)

Stopping Devices: on warp and weft, primary connection 220 volts A.C., 50 cycles, secondary 24 volts.

Weaving Reed Measurements:

Overall height: 90mm

Reed slot: 10mm & 12mm with the thickness 1.6mm plate

Maximum reed length: about weaving width +60mm

Heddle Measurements: Hole centre distance: 200mm.

Heddles nos. 2 and 4

Heddle frame Plates: Nos. 2 and 4

Advantage of Design:

Warp and cloth beams of steel tube, with double end drive. The warp beam maybe provided with rings when desired.

Endless cloth beams construction: two PE coating beams and one steel tube can keep the flattening surface of wire mesh and 24 hours weaving without any stop.

Gear Wheel Regulator for accurate mesh adjustment on finest and heaviest weaving. However full PLC control is no need. Servo motor with reducer control mesh size.

Front and Rear Breast Rolls are adjustable so as to adjust the shed correctly. Equipment of front breast roll with smoothing rail is possible.

Control of Heddle Frames by accurately milled cam segments which can be easily exchanged, where by the shed height can always be adjusted suitably for the rapier being used

Worm Gear Drive for power return of slay can be supplied, if desired.

Slay Drive by toggle lever system; adjustment for single as well as small or large double beat.

Beat-up of Weft Wire at bottom edge of reed.

Shaft Bearings: all heavily loaded or high speed shafts run in bronze bushes. The driving shaft is provided with ball bearing and the crankshaft with ring lubricator bearings.

Middle Support: of main shafts from 2000mm (79") weaving width.

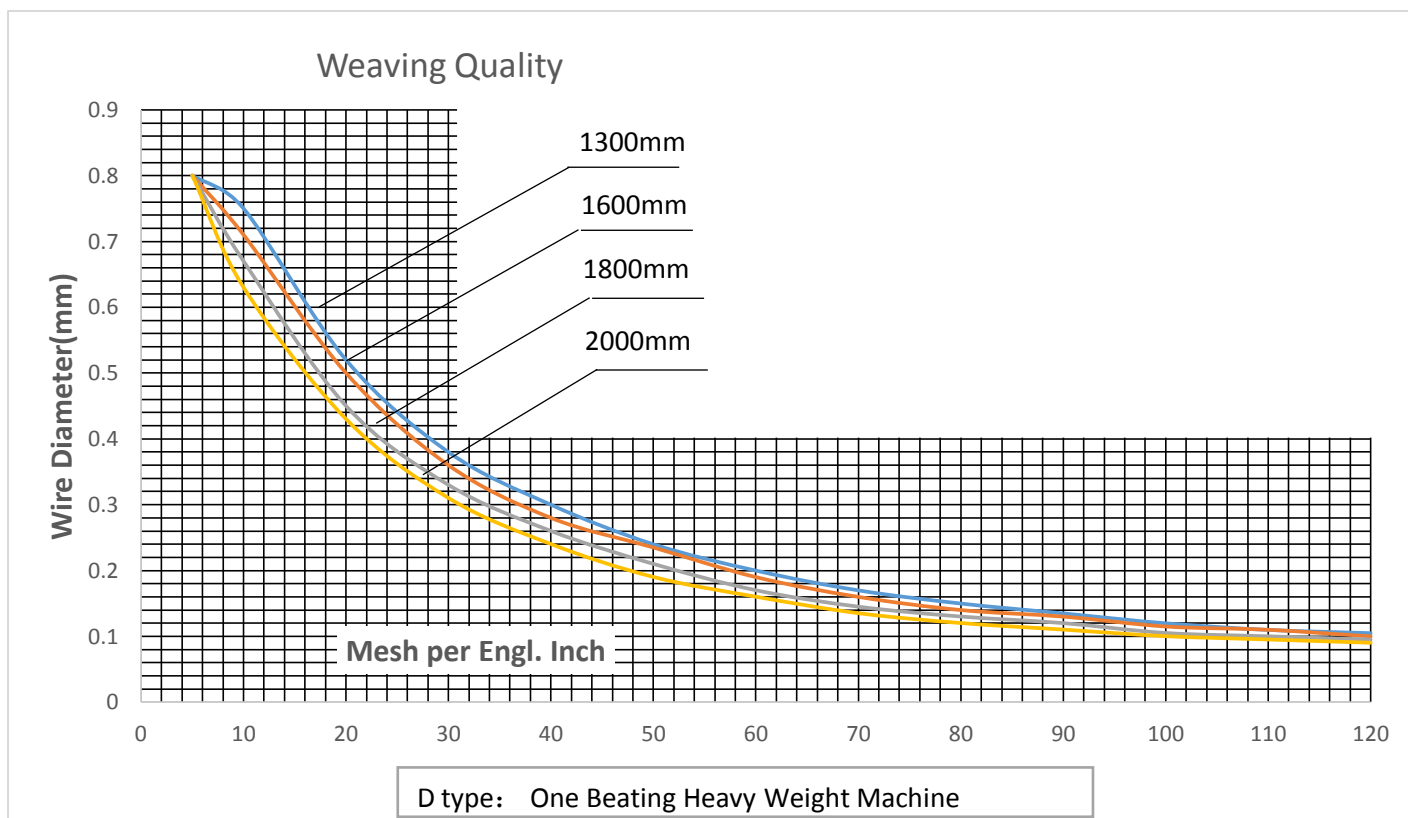
Rapier Transmission Mechanism: the Carbon Fiber or Nylon rapier belt with tooth profile rapier band by CNC can improve the beating-up speed

Rapier Head thickness and Rapier Belt Length

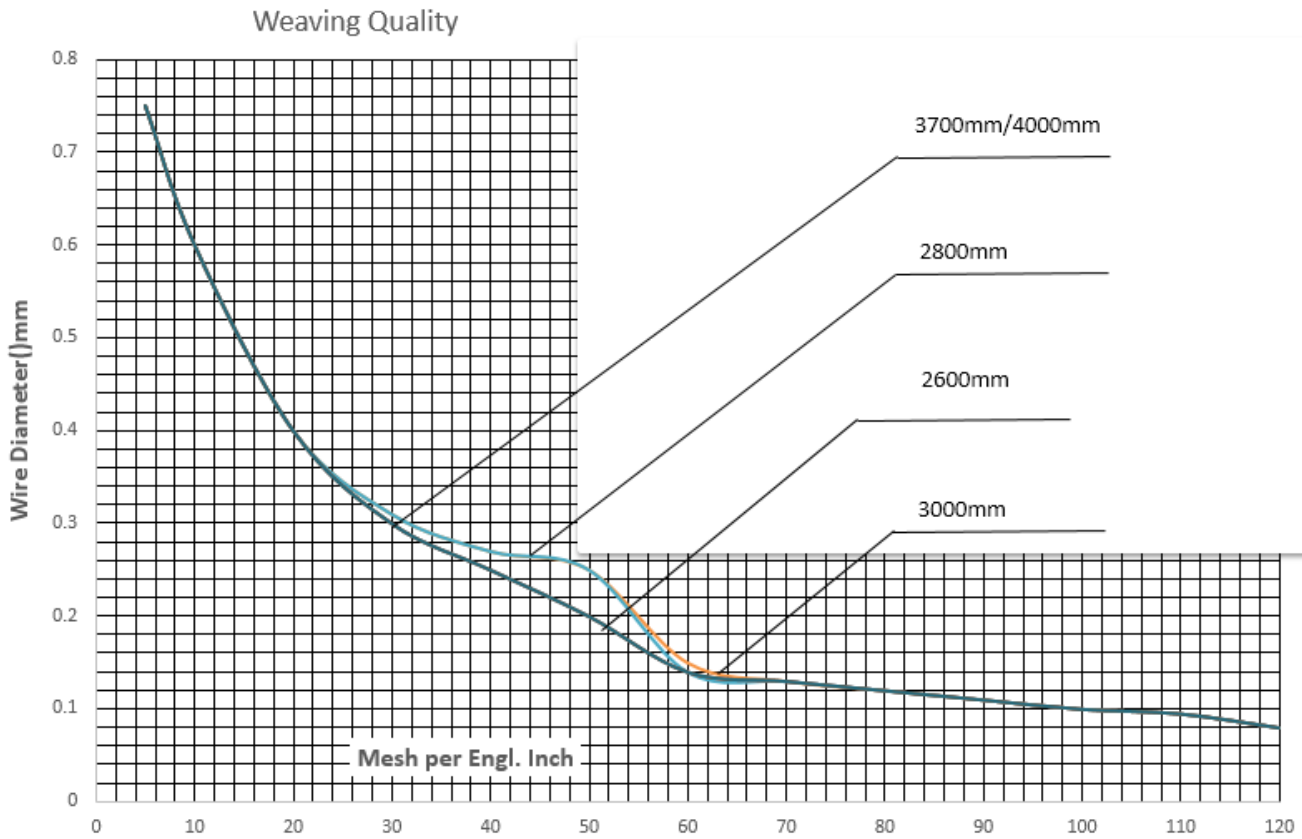
Rapier Thickness	Wire diameter range
W x T: 20x8mm	0.1-0.6mm
W x T: 25x8mm	0.3-0.8mm

The rapier belt length will be weaving length +1300mm

Weaving Specification in Plain Weave



Weaving Width	Mesh per Engl. Inch													
	5	10	20	30	40	50	60	70	80	90	100	110	120	
APM-SG-1300/1J/D/1300mm	0.80	0.75	0.52	0.38	0.30	0.24	0.20	0.170	0.150	0.135	0.120	0.110	0.105	
APM-SG-1600-1J/D/1600mm	0.80	0.71	0.50	0.36	0.28	0.235	0.19	0.160	0.140	0.130	0.115	0.110	0.100	
APM-SG-1800-1J/D/1800mm	0.80	0.67	0.45	0.33	0.26	0.21	0.17	0.145	0.130	0.120	0.105	0.100	0.095	
APM-SG-2000-1J/D/2000mm	0.80	0.63	0.43	0.31	0.24	0.19	0.16	0.135	0.120	0.110	0.100	0.095	0.090	



DD type: Double Beating Huge Weight machine

Weaving Width	Mesh per Engl. Inch												
	5	10	20	30	40	50	60	70	80	90	100	110	120
APM-SG-2600-2J/DD/2600mm	0.75	0.60	0.40	0.31	0.27	0.25	0.15	0.130	0.120	0.110	0.100	0.095	0.080
APM-SG-2800-2J/DD/2800mm	0.75	0.60	0.40	0.31	0.27	0.25	0.14	0.130	0.120	0.110	0.100	0.095	0.080
APM-SG-3000-2J/DD/3000mm	0.75	0.60	0.40	0.30	0.25	0.20	0.14	0.130	0.120	0.110	0.100	0.095	0.080
APM-SG-3700-2J/DD/3700mm	0.75	0.60	0.40	0.30	0.25	0.20	0.14	0.130	0.120	0.110	0.100	0.095	0.080
APM-SG-4000-2J/DD/4000mm	0.75	0.60	0.40	0.30	0.25	0.20	0.14	0.130	0.120	0.110	0.100	0.095	0.080

Valid for plain weaving with square meshes from iron wire up to 60kg/mm²(38t.p.s.i) tensile quality
 For twill weaving the wire size can be increased by 25%

Weights and Case Measurements

Weaving Width	Weight in kilos		Cubic Measurement	Number of cases for sea transport	Space required
	Gross	Net			
APM-SG-1300/1J/D/1300mm		6500	9.1 m ³	3	3050 X 2300 X 1950
APM-SG-1600-1J/D/1600mm		6900	9.7m ³	3	3250 X 2300X 1950
APM-SG-1800-1J/D/1800mm		7400	10.6m ³	4	3550 X 2300X 1950
APM-SG-2000-1J/D/2000mm		7500	11.2m ³	4	3750 X 2300X 1950
APM-SG-2600-2J/DD/2600mm		17000	34.3m ³	4	3900 X 4000 X 2460
APM-SG-2800-2J/DD/2800mm		18000	36m ³	4	4100 X 4000 X 2460
APM-SG-3000-2J/DD/3000mm		19000	37.8m ³	4	4300 X 4000 X 2460
APM-SG-3700-2J/DD/3700mm		22000	44m ³	4	5000 X 4000 X 2460
APM-SG-4000-2J/DD/4000mm		26000	46.6m ³	4	5300 X 4000 X 2500

HEBEI ZONGHANG MACHINERY MANUFACTURING CO., LTD

Tele: 0086 311 66792193/97 Fax: 0086 311 66792192 www.wiremeshmachineschina.com; www.apmwiremeshmachine.com

The figures indicated are for standard designs and may be increased for special equipment.
Lustrations, drawings, measurement and weight indications are without engagement and subject to modification.

About us

Hebei Zonghang Machinery manufacturing is new name for export and the old name is Jin Jingwei Machinery manufacture which began to operate in 1983 and divided from our Army machinery factory in 1993. We are only professional in weaving wire mesh machine and machine parts with Germany and Japanese technology for over 20years old.

Our main factory located in Shijiazhuang City, the capital of Hebei Province. And 5 branch workshops near the wire mesh market.

Our main machine range: Shuttle-less wire weaving machine, Crimped wire mesh machine, Knitted mesh machine, Welded wire mesh machine, Expanded metal machine, Razor barbed wire machine.

The range of our applications includes very finely woven mesh for the filtration industry including oil industry and plastic chemical industry, food industry, pharmaceutical industry and architecture.

With the good service and high technology quality machine, we got proved and praise from our clients. From 2008 to till now. Our machine are widely exported to India, Egypt, France. Iran, Indonesia. Malaysia. Jordan, Bahrain and Africa etc. 25countries till now.

We aim to set new standards together with our customers and endeavor to make the largest contribution possible in making the world cleaner, safer, more beautiful, and ultimately more worth living in.

Our Brand is APM (advanced productive machine).

Service Communication

China Office:

Add: No. 508 Zhongshan East Road Changan District
Shijiazhuang City Hebei China

Factory Address:

Circulation Chemical Industry Area Shijiazhuang City Hebei
China

Factory Manager (Engineer): Mr. Jason Duan

E-mail: factory@apmwiremesh.com

Sales Consultant: Mr. Jerry Zhang

E-mail: sales@apmwiremeshmachine.com

Sales Consultant: Mr. Jon Tang

E-mail: apm@apmwiremeshmachine.com

India Office- Spare parts shop

Add: H-61 DDA Flats, Ashok Vihar, Phase-1, Delhi 110052
India

Contract Person: Mr. Sanjeev Jain

Mobile/Whatsapp/Wechat: +91 9811195811

PH: +91 1143010843

E-mail: apmwiremesh@yahoo.com

If you want to be a manufacturer of industrial mesh, we are just the partner you are looking for

HEBEI ZONGHANG MACHINERY MANUFACTURING CO., LTD

Tele: 0086 311 66792193/97 Fax: 0086 311 66792192 www.wiremeshmachineschina.com; www.apmwiremeshmachine.com