



厂长: 段朝阳
微信/手机: 13333370855
河北纵航机械制造有限公司
地址: 河北省石家庄市藁城区岗上镇大同村
新赵线953号
邮编: 052166
电话: 0311 66792193
传真: 0311 66792192
网址: www.apmzhjx.com

Hebei Zonghang Machinery Manufacturing Co.,Ltd
Add: No. 953 Xinzhao Line Datong Village Gangshang Town
Gaocheng District Shijiazhuang City Hebei Province P. R.
China
Website: www.apmwiremeshmachine.com
www.wiremeshmachineschina.com

Head Office
Mrs. Nelly Zhou
General Sales Manager
Whatsapp/Mobile: 0086 13373217655
E-mail: sales@apmwiremeshmachine.com
Tel: 86-311-66792193
Fax: 86-311-66792192

India branch: APM-Industries
Mr. Sanjeev Jain
Manager Director
Mobile/whatsapp: 0091 9811195811
E-mail: apmwiremesh@yahoo.com
Address : E-104 , 2nd Floor , Ashok Vihar,
Phase -1 , Delhi - 110052 India

Jason Duan



Nelly Zhou



Sanjeev Jain



WIRE MESH MACHINE AUTHORITY
SINCE 1993

WIRE WEAVING MACHINE 织网机

如果您想成为工业网的制造商, 我们就是您正在寻找的合作伙伴

IF YOU WANT TO BE A MANUFACTURER OF INDUSTRIAL MESH
WE ARE JUST THE PARTNER YOU ARE LOOKING FOR!

COMPANY PROFILE

Company profile

Hebei Zonghang Machinery Manufacturing Co., Ltd is the leading manufacturer in China which specialized in metal wire weaving machines and crimped wire mesh machines for over 30 years old. The Weaving looms can do the metal wire from 0.017mm till 12mm and the square fabric range till 600mesh and Hollander cloth till 2600mesh etc. The advantage numerical control wire mesh weaving loom: through adopting the PLC programmable controlling rapier system and controlling cloth reeling and warp feeding by servo motors to satisfied with more fresh buyers who are free from technological dependence. The Stable quality and professional service help us gain many good reputations all over the world. The range of our applications includes very finely woven mesh for the filtration industry including oil industry and plastic chemical industry, food industry, pharmaceutical industry and the new resource industry as Batteries, Photo-voltaic and Printing etc.

河北纵航机械制造有限公司是中国领先的金属丝编织机和轧花网机制造商，已有30多年的历史。金属丝编织机可织造金属丝0.017 ~ 12mm到600目的方孔网和2600目的荷兰布等。数控丝网织网机的优势：采用PLC可编程控制剑带系统，伺服电机控制机器的卷网机构和送经机构，满足更多不依赖技术的新买家。稳定的质量和专业的服务使我们在世界各地赢得了良好的声誉。我们的应用范围包括过滤行业的精细编织网，应用于石油工业和塑料化工工业，食品工业，制药工业和新资源行业，如：电池、光伏和印刷等。



Parameters and configuration

The new type of weaving system adopts PLC programming and a mobile module control system, featuring excellent energy-saving performance and equipped with a fully evolved Servo Dobby Shedding design, representing the advanced mode of future factory management.

新型织网系统采用PLC编程和移动模块控制系统，具备卓越的节能性能，并搭载全面进化的伺服多臂开口设计，代表了未来工厂管理的先进模式。

Machine type 机器型号	B and B Max	QD	Q	D
Basic Parameters 基础参数				
Weaving Mesh Range (mesh) 编织范围 (目数)	PW: 40-600 DW: to 2600	PW: 8-120 DW: to 300	PW: 8-80 DW: to 300	PW: 4-60/8-80 DW: to 300
Wire Diameter 丝径范围	<=0.30mm	<=0.35mm	<=0.60mm	<=0.80mm
Weaving Width 织网宽度	1300mm 1600mm 2000mm Max. 2500mm	1300mm 1600mm 2000mm 2500mm	1300mm 1600mm 2000mm 2500mm	1300mm 1600mm 2000mm 2500mm Max6300mm
Heddle Frame Number 综框个数	2 & 4 or 5	2 & 4 or 5	2&4	2&4
Main drive Motor 主电机	1.5/2.2KW & 3.0KW	3.0/4.0KW	3.0KW/4.0KW	4.0/7.5KW
Max. beat-up power(NM) 卡纬力量	15000N/M	20000N/M	40000N/M	60000N/M
Weaving Speed 编织速度	60-120T/min	60-120T/min	60-90T/min	20-70T/min
Shedding Mechanism 开口装置	Cam motion or AC Server Dobby 凸轮运动或交流服务器多臂			
Weft Wire Insertion 引纬装置	The carbon fiber or nylon rapier with AC servo mechanism that keeps the weft wire under tension			
Let-off / Take-up Mechanism 送经和卷网装置	The weaving machines are differentiated by the servo motor and reducer speed ratio			
Weaving Tensile Control 张力控制	Display digitally 显示数字			
Outside Size (millimeter) 外观尺寸 (毫米)	Right to left: weaving width + 1400mm Front beam to Rear beam: 2400mm or 2700mm(two Parts) Height: 1350mm		Height:1650mm	Height:2250mm
Additional Safety Design 附加安全设计				
Rapier Movement Limit Protection 剑带移动极限保护	Y	Y	Y	Y
Electric Rapier Cam Protection 电子剑带凸轮保护	Y	Y	Y	Y
Let-off/take-up Movement Degree Protection 送经和卷网移动角度保护	Y	Y	Y	Y
DIY Design need to afford the cost accordingly. DIY 设计需要承担相应的成本				
Color Choice 颜色的选择	Y	Y	Y	Y
Remote Control 移动控制	N/Y	N	Y	Y
Safety Light Curtains 安全光栅	Y	Y	Y	Y
Endless Take-up Cloth 无限下网	Y	Y	Y	Y
Safety Chain and Air Expansion shaft 安全链和气缸轴	Y	Y	Y	Y

我们能够根据客户产品需求提供定制化生产线方案

We can provide customized production line solutions according to customer's product needs

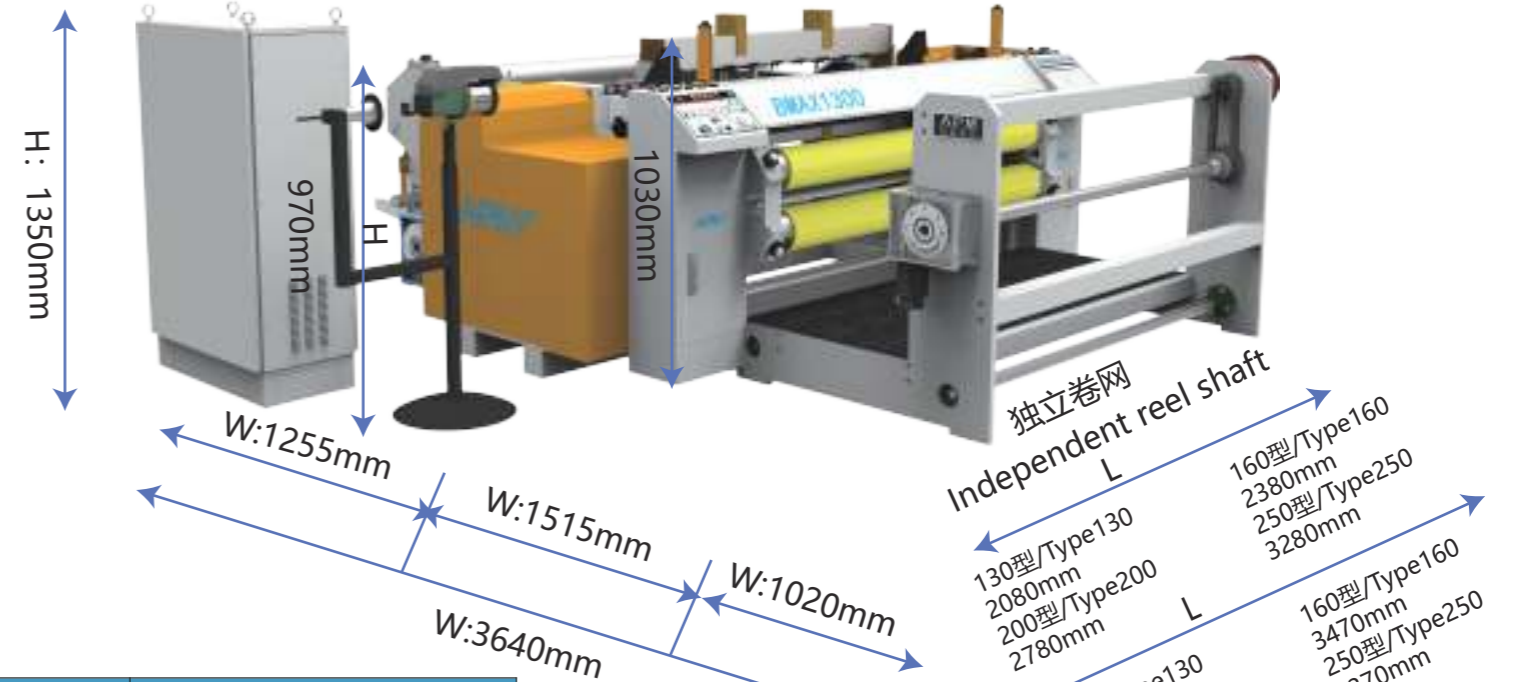
多臂数控轻型织网机 NC LIGHT WIRE WEAVING MACHINE

特点和功能

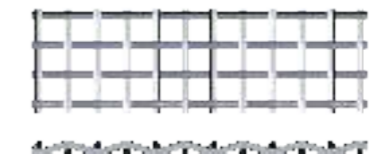
该机采用PLC可编程控制系统，通过伺服电机控制卷网和送经，实现网面张力自动调节并且电子显示；伺服多臂机构和高性能伺服直驱引纬的设计，使运行更稳定，实现精度高，转速快，噪音低，编织范围广，花型多样的特点；可编织不锈钢、铁、铜、铝、银等金属和合金材质的丝网。这种机型主要用于特种丝网印刷级别的精密金属网的编织，可满足电子和光电产业市场中丝网印刷应用所需要的技术要求。

Features and Application

The machine adopts PLC programmable control system, through the servo motor control cloth take-up and warp let-off, to realize the automatic adjustment of weaving tension and electronic display; Servo dobby and high performance servo direct drive weft insertion design, so that the operation is more stable to achieve high precision, fast speed, low noise, wide weaving range, various types; we can weave stainless steel, iron, copper, aluminum, silver and other metal and alloy materials of wire. This type of machine is mainly used for weaving precision metal mesh for special screen printing levels, and can meet the technical requirements of screen printing applications in the electronic and optoelectronic industries.



项目 Project		基本信息 Basic Information										卷网机构 Cloth Take-up Mechanism						引纬机构 Weft Insertion Mechanism					
设备技术参数 Equipment Technical Parameter	机器编织宽度 Weaving Width	目数范围 Weaving Mesh Range		丝径范围 (mm) Wire diameter range (mm)	编织方式 (标配四综) Weaving method (four healds as standard)	最大织网 宽度 (mm) Maximum mesh width (mm)	主动电机参数: 电磁制动 (电压, 功率, 型号 等等) Active motor parameters: electromagnetic brake (Voltage, power, model, etc.)	织网速度 (次/分钟) Weaving speed (times/min)	机身重量 (吨) Body weight (tons)	底座尺寸 (米) Base size (m)	卷网轴 spool for rolling wire			机械直卷 Mechanical straight winding	单独收卷机构参数 Individual winding mechanism parameters		卷网变速箱总成 Reel gearbox assembly		前罗拉轴参数 (等 同后罗拉轴) Front roller shaft parameters (equivalent to rear roller shaft)	剑带参数 (厚度, 宽 度, 长度及剑带头) --碳纤维剑带30mm Rapier parameters (thickness, width, length and rapier head) - Carbon fiber rapier 30mm	导剑轮 Guide pulley	尼龙压轮+座 Nylon press wheel + seat	剑带伺服 电机 Rapier servo motor
		无限下网 Infinite down net									收卷内径 和外径 Winding inner and outer diameter	电机要求 Motor requirements	减速机 RV Reducer RV		伺服电机 Servo Motor	剑带参数 (厚度, 宽 度, 长度及剑带头) --碳纤维剑带30mm Rapier parameters (thickness, width, length and rapier head) - Carbon fiber rapier 30mm							
		卷网轴参数 Reel shaft parameter	被动轴1参数 Passive shaft 1 parameter														被动轴2参数 Passive shaft 2 parameter	卷网轴参数 Reel shaft parameter					
	1300	60-623	2600	0.14-0.015	平织/斜织/席型 Plain Weave/Twill Weave/Dutch Weave	1320	380V 50Hz 1.5KW	60-120	2.9T	2700mm* 2400mm* 1350mm	230	150	150	194	75*500	伺服1.5KW Servo1.5KW	63*110	0.75/1.5 KW	150	1.35*30*2700mm (6*20mm)	108齿复合轮 Composite wheel with 108 teeth	散热快 fast heat dissipation	2.3KW
	1600	60-623	2600	0.14-0.015		1620	380V 50Hz 1.5KW	60-120	3.2T	3100mm* 2400mm* 1350mm	230	150	150	194	75*500	伺服1.5KW Servo1.5KW	63*110	0.75/1.5 KW	150	1.35*30*2700mm (6*20mm)	108齿复合轮 Composite wheel with 108 teeth	散热快 fast heat dissipation	2.3KW
	2000	60-400	2600	0.12-0.015		2020	380V 50Hz 3.0KW	60-90	3.6T	4500mm* 2400mm* 1350mm	290	180	180	230	75*500	伺服1.5KW Servo1.6KW	75*150	3.0KW	180	1.35*30*3600mm (6*20mm)	108齿复合轮 Composite wheel with 108 teeth	散热快 fast heat dissipation	2.3KW
	2500	60-400	2600	0.12-0.015		2520	380V 50Hz 3.0KW	60-90	4.0T	5900mm* 2400mm* 1350mm	290	180	180	230	75*500	伺服1.5KW Servo1.7KW	75*150	3.0KW	180	1.35*30*3600mm (6*20mm)	108齿复合轮 Composite wheel with 108 teeth	散热快 fast heat dissipation	2.3KW
打纬机构 Beating Mechanism						开口机构 Shedding Mechanism						送经机构 Let-off Mechanism						配套设备 Corollary Equipment					
曲轴 (轴承) Crankshaft (bearings)			箱座参数 (成品尺寸) Sley parameters (finished size)	衬板参数 (mm) Liner parameters (mm)	凸轮总成 Cam set assembly		综框总成 Heald frame assembly			伺服多臂电 机参数 Servo dobby motor parameters	伺服多臂减 速机参数 Servo dobby reducer parameters	多臂拉杆要 求 Dobby Pull Rod Requirements	后罗拉张力总 成 Rear roller tension assembly		经轴总成 Warp beam assembly		送经变速箱总 成 Let-off gearbox assembly		后墙板 Rear panel	底座 Base	前支梁 Front strut	大梁 Girder	安全光栅 Safety light grid
曲轴 Crankshaft	连杆 Connecting rod	轴承 Bearings			凸轮轴 Camshaft bearing	凸轮 Cam	综框材质 Heald frame material	综框 导向架 Heald frame guides	综腿及配 件 Heald legs and accessories				后罗拉轴 Rear rolle	后张力 轴 Rear tension roller shaft	大经轴 Large warp beam (mm)	减速机 Reducer	伺服电机 Servo motor	减震 shock absorption					
75	大头 Big Head	√	55	22*170	55孔 55holes	55孔 55holes	铝 aluminium	尼龙 nylon	自己做 do it oneself	1.5KW	K47	扁铁 strap iron	150	150	320*1460	63/110	0.75/1.5K W	减震 shock absorption	方管底座 Square tube base	30*300mm	200槽钢焊接 200 channel steel welding	√	
75	大头 Big Head	√	55	22*170	55孔 55holes	55孔 55holes	铝 aluminium	尼龙 nylon	自己做 do it oneself	1.5KW	K47	扁铁 strap iron	150	150	320*1760	63/110	0.75/1.5K W	减震 shock absorption	方管底座 Square tube base	30*300mm	200槽钢焊接 200 channel steel welding	√	
75	大头 Big Head	√	65	30*300	55孔 55holes	55孔 55holes	铝 aluminium	尼龙 nylon	自己做 do it oneself	1.5KW	K47	扁铁 strap iron	180	180	320*2160	75/130	1.5KW	减震 shock absorption	方管底座 Square tube base	30*300mm	200槽钢焊接 200 channel steel welding	√	
75	大头 Big Head	√	65	30*300	55孔 55holes	55孔 55holes	铝 aluminium	尼龙 nylon	自己做 do it oneself	1.5KW	K47	扁铁 strap iron	180	180	320*2660	75/130	1.5KW	减震 shock absorption	方管底座 Square tube base	30*300mm	200槽钢焊接 200 channel steel welding	√	



平纹编织
Plain Weave



4综斜纹编织
Twill Weave 4 Bonded



平纹席型网
PDW Plain Dutch Weave



斜纹席型网
DTW Dutch Twilled Weave

设备占地面积: 1米左右为共用通道
Equipment floor space: around 1 meters as the shared channel

数控中型织网机

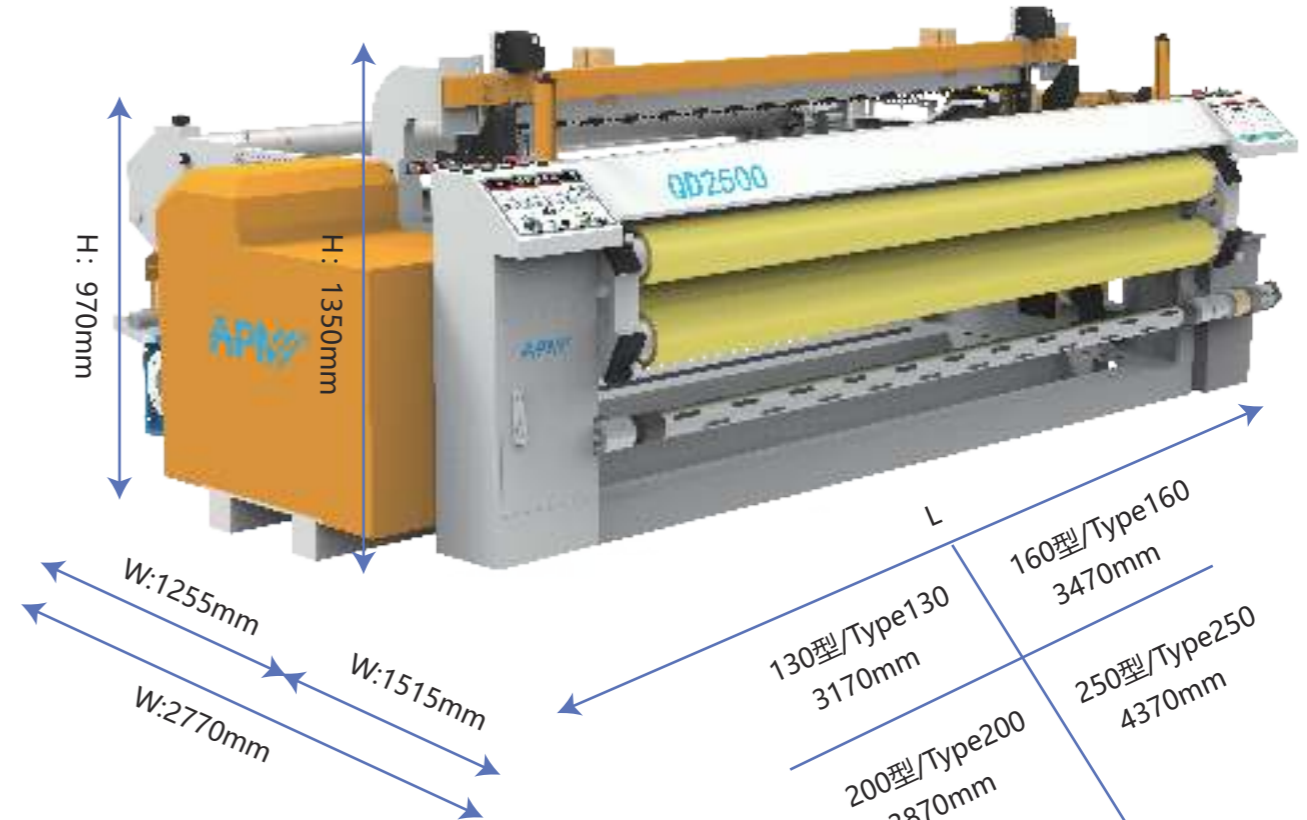
NC MIDDLE HEAVY WIRE WEAVING MACHINE

特点和功能

该机采用PLC可编程控制系统, 通过伺服电机控制卷网和送经, 实现网面张力自动调节并且电子显示, 采用曲轴打纬和凸轮开孔机构, 高性能伺服直驱引纬和无限卷网的机构, 数字显示织网长度, 既满足了机器应有的特点, 也可以缩短编织辅助时间, 可编织不锈钢、铁、铜、铝、银等金属和合金材质的丝网, 所编织的金属网广泛应用于石油, 化工, 机械, 军工, 航天等工业部门的液体、气体过滤和固体颗粒筛分。

Features and Application

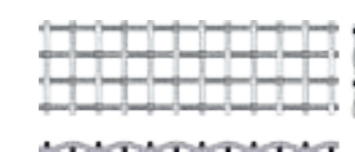
The machine adopts PLC programmable control system, through the servo motor control cloth take-up and warp let-off, to achieve automatic adjustment of weaving tension and electronic display, the use of crankshaft beating-up and cams shedding mechanism, high performance servo direct drive weft insertion and limitless cloth take up mechanism, digital display cloth length, not only meet the characteristics of the machine, but also can shorten the auxiliary weaving time. We can weave stainless steel, iron, copper, aluminum, silver and other metal and alloy materials of wire, The woven metal mesh is widely used in petroleum, chemical, machinery, military, aerospace and other industrial sectors of liquid, gas filtration and solid particle screening.



项目 Project		基本信息 Basic Information										卷网机构 Cloth Take-up Mechanism							引纬机构 Weft Insertion Mechanism				
设备技术参数 Equipment Technical Parameter	机器编织宽度 Weaving Width	目数范围 Weaving Mesh Range		丝径范围 (mm) Wire diameter range (mm)	编织方式 (标配四综) Weaving method (four healds as standard)	最大织网宽度 (mm) Maximum mesh width (mm)	主动电机参数: 电磁制电机 (电压, 功率, 型号等等) Active motor parameters: electromagnetic brake motor (Voltage, power, model, etc.)	织网速度 (次/分钟) Weaving speed (times/min)	机身重量 (KG) Body weight (kg)	底座尺寸 (米) Base size (m)	卷网轴 Spool for rolling wire			单独收卷机构参数 Individual winding mechanism parameters		卷网变速箱总成 Reel gearbox assembly		罗拉轴参数 (等同后罗拉轴) Roller shaft parameters (equivalent to rear roller shaft)	剑带参数 (厚度, 宽度, 长度及剑带头) --推荐: 尼龙30mm和半碳纤27mm Rapier parameters (thickness, width, length and rapier head) - Recommended nylon rapier 30mm and half-carbon fiber	导剑轮 Guide pulley	尼龙压轮+座 Nylon press wheel + seat	剑带伺服电机 Rapier servo motor	
		无限下网 Infinite down net									机械直卷 Mechanical straight		收卷内径和外径 Winding inner and outer diameters	电机要求 Motor requirements	减速机 SAF Reducer SAF	伺服电机 Servo Motor							
		卷网轴参数 Reel shaft parameter	被动轴1参数 Passive shaft 1 parameter								被动轴2参数 Passive shaft 2 parameter	卷网轴参数 Reel shaft parameter											
	1300	8-120	300	0.06-0.35	平织/斜织/席型单独5综织机 Plain Weave/Twill Weave/Dutch Weave, Individual-5 heald loom	1320	380V 50HZ 3.0KW	60-120	3600	2700mm*2700mm*1350mm	260	150	150	260	80*500	伺服 1.5KW Servo 1.5 KW	87	3.0KW	150	3*30*2750mm (20*8mm)	108齿复合轮 Composite wheel with 108 teeth	尼龙压轮 Nylon press wheel	2.3KW
	1600	8-120	300	0.06-0.35		1620	380V 50HZ 3.0KW	60-120	4000	3100mm*2700mm*1350mm	260	150	150	260	80*500	伺服 1.5KW Servo 1.5 KW	87	3.0KW	150	3*30*2750mm (20*8mm)	108齿复合轮 Composite wheel with 108 teeth	尼龙压轮 Nylon press wheel	2.3KW
	2000	8-120	300	0.06-0.25		2020	380V 50HZ 4.0KW	60-100	4500	4500mm*2700mm*1350mm	290	180	180	290	80*500	伺服 1.5KW Servo 1.5 KW	87	3.0KW	180	3*30*3500mm (20*8mm)	108齿复合轮 Composite wheel with 108 teeth	尼龙压轮 Nylon press wheel	2.3KW
	2500	8-120	300	0.06-0.25		2520	380V 50HZ 4.0KW	60-90	5000	5900mm*2700mm*1350mm	290	180	180	290	80*500	伺服 1.5KW Servo 1.5 KW	87	3.0KW	180	3*30*4000mm (20*8mm)	108齿复合轮 Composite wheel with 108 teeth	尼龙压轮 Nylon press wheel	2.3KW
打纬机构 Beating Mechanism					开口机构 Shedding Mechanism					送经机构 Let-off Mechanism					配套设备 Corollary Equipment								
曲轴 (轴承) Crankshaft (bearings)		编码器 Encoder	箱座参数 (成品尺寸) Sley parameters (finished size)	衬板参数 (mm) Liner parameters (mm)	凸轮总成 Cam set assembly		综框总成 Heald frame assembly			伺服多臂电机参数 Servo dobby motor parameters	伺服多臂减速机参数 Servo dobby reducer parameters	多臂拉杆要求 Dobby Pull Rod Requirements	后罗拉张力总成 Rear roller tension assembly		经轴总成 Warp beam assembly	送经变速箱总成 Let-off gearbox assembly	后墙板 Rear panel	底座 Base	前支梁 Front strut	大梁 Girder	储纬器 Weft feeder		
曲轴 Crankshaft	连杆 Connecting rod				轴承 Bearings	凸轮轴 camshaft bearing	凸轮 cam	综框材质 Heald frame material	综框导向架 Heald frame guides				综腿及配件 Heald legs and accessories	后罗拉轴 Rear roller								后背辊轴 Back roller shaft	大经轴 Large warp beam (mm)
75	大头 Big Head	√	65	22*170	55	55	铝合金 aluminium alloy	尼龙 nylon	自己做 do it oneself	1.5KW	K47	扁铁 strap iron	150	150	320*1460	77	1.5KW	直拉 Straight-pull	方管 Square tube	30*30mm	200槽钢 200 channel steel	立式滚筒 Vertical drum	
75	大头 Big Head	√	65	22*170	55	55	铝合金 aluminium alloy	尼龙 nylon	自己做 do it oneself	1.5KW	K47	扁铁 strap iron	150	150	320*1760	77	1.5KW	直拉 Straight-pull	方管 Square tube	30*30mm	201槽钢 201 channel steel	立式滚筒 Vertical drum	
75	大头 Big Head	√	75	30*300	55	55	铝合金 aluminium alloy	尼龙 nylon	自己做 do it oneself	1.5KW	K47	扁铁 strap iron	180	180	320*2160	77	1.5KW	直拉 Straight-pull	方管 Square tube	30*30mm	202槽钢 202 channel steel	立式滚筒 Vertical drum	
75	大头 Big Head	√	75	30*300	55	55	铝合金 aluminium alloy	尼龙 nylon	自己做 do it oneself	1.5KW	K47	扁铁 strap iron	180	180	320*2660	77	1.5KW	直拉 Straight-pull	方管 Square tube	30*30mm	203槽钢 203 channel steel	立式滚筒 Vertical drum	



5综斜纹编织
Twill Weave 5 Bonded EGLA 5 Satin



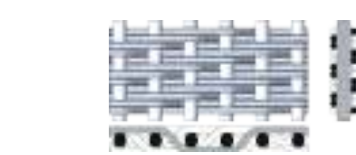
平纹编织
Plain Weave



4综斜纹编织
Twill Weave 4 Bonded



平纹席型网
PDW Plain Dutch Weave



斜纹席型网
DTW Dutch Twilled Weave

设备占地面积: 1米左右为共用通道
Equipment floor space: around 1 meters as the shared channel

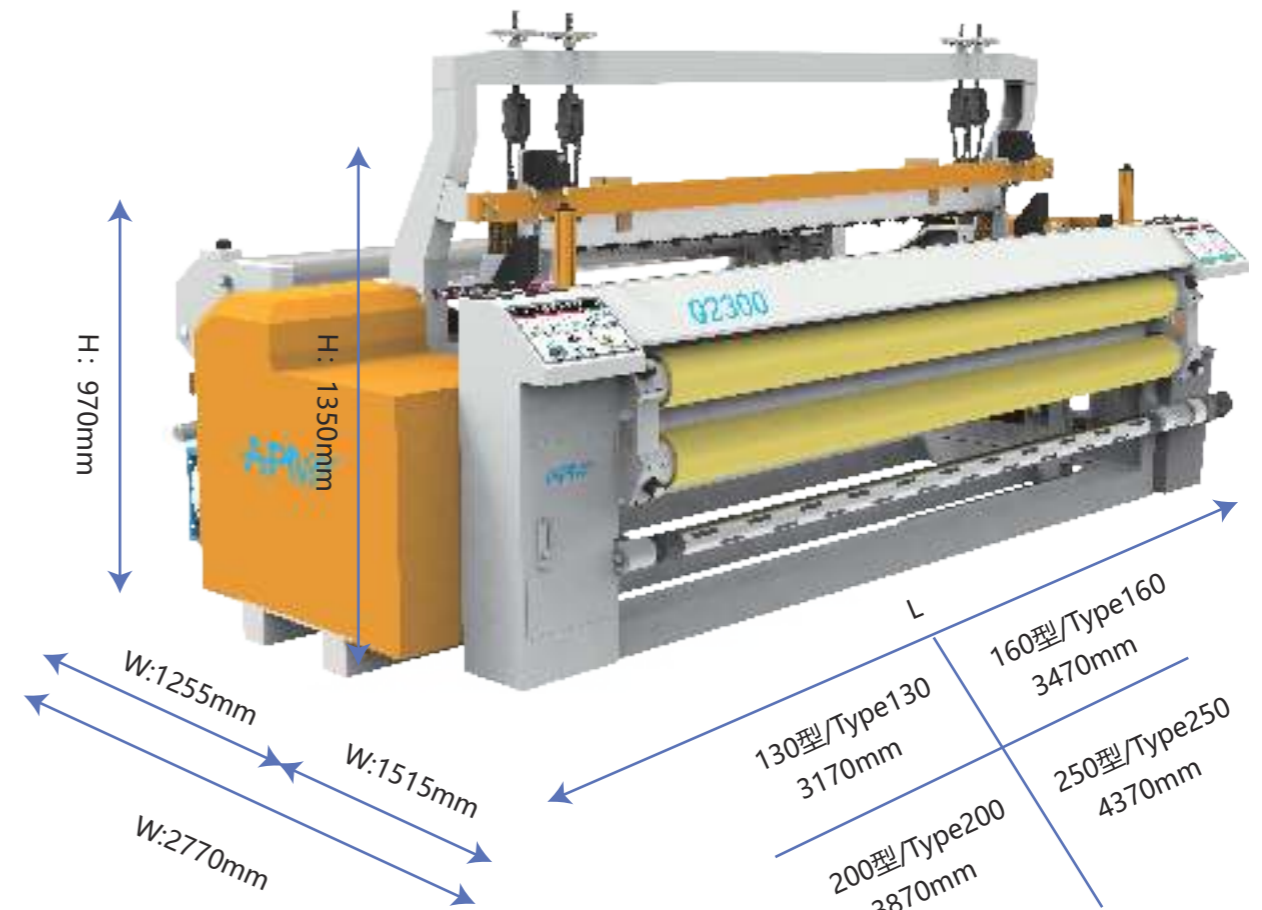
数控重型织网机 NC HEAVY WIRE WEAVING MACHINE

特点和功能

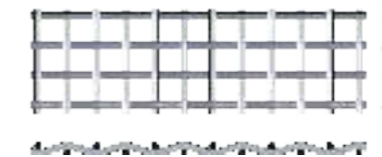
该机采用PLC可编程控制系统,通过伺服电机控制卷网和送经,实现网面张力自动调节并且电子显示,采用曲轴打纬和凸轮开口机构,高性能伺服直驱引纬和无限卷网的机构,数字显示织网长度,既满足了机器应有的特点,也可以缩短编织辅助时间,可编织不锈钢、铁、铜、铝、银等金属和合金材质的丝网,所编织的金属网广泛应用于石油,化工,机械,军工,航天等工业部门的液体、气体过滤和固体颗粒筛分。

Features and Application

The machine adopts PLC programmable control system,through the servo motor control cloth take-up and warp let-off, to achieve automatic adjustment of weaving tension and electronic display, the use of crankshaft beating-up and cams shedding mechanism, high performance servo direct drive weft insertion and limitless cloth take up mechanism, digital display cloth length, not only meet the characteristics of the machine, but also can shorten the auxiliary weaving time. We can weave stainless steel,iron, copper, aluminum, silver and other metal and alloy materials of wire.The woven metal mesh is widely used in petroleum, chemical, machinery, military, aerospace and other industrial sectors of liquid, gas filtration and solid particle screening.



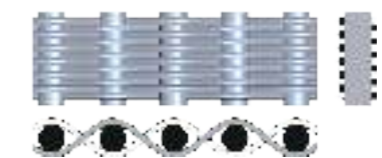
项目 Project	基础信息 Basic Information										卷网机构 Cloth Take-up Mechanism							引纬机构 Cloth Take-up Mechanism					
	目数范围 Weaving Mesh Range		丝径范围 Wire diameter range (mm)	编织方式 (标配四综) Weaving method (four healds as standard)	最大织网宽度 (mm) Maximum mesh width (mm)	主动电机参数: 电磁制电机 (电压, 功率, 型号等等) Active motor parameters: electromagnetic brake motor (Voltage, power, model, etc.)	织网速度 (次/分钟) Weaving speed (times/min)	机身重量 (KG) Body weight (kg)	底座尺寸 (米) Base size (m)	卷网轴 Spool for rolling wire			单独收卷机构参数 Individual winding mechanism parameters		卷网变速箱总成 Reel gearbox assembly		罗拉轴参数 Roller shaft parameters	剑带参数 (厚度, 宽度, 长度及剑带头) - 推荐尼龙剑带30mm Rapier parameters (thickness, width, length and rapier head) - Recommended nylon rapier 30mm	导剑轮 Guide pulley	尼龙压轮+座 Nylon press wheel + seat	剑带伺服电机 Rapier servo motor		
										无限下网 Infinite down net	机械直卷 Mechanical straight	收卷内径和外径 Winding inner and outer diameters	电机要求 Motor requirements	减速机 Reducer SAF	伺服电机 Servo Motor								
设备技术参数 Equipment Technical Parameter	机器织网宽度 Weaving Width	方孔网 (目) Square mesh	席型网 (目) Dutch mesh	平织/斜织/席型网 Plain Weave/Twill Weave/Dutch Weave	1300	380V 50HZ 4.0KW	60-90	4000	2700mm*2880mm*1750mm	260	180	180	260	80*500	伺服1.5KW Servo1.5KW	87	3KW	180	3.0*30*2750mm (8*20mm)	108齿复合轮 Composite wheel with 108 teeth	尼龙压轮 Nylon press wheel	2.3KW	
	1600	8-80	260		0.12-0.60	1620	380V 50HZ 4.0KW	60-90	4500	2700mm*4280mm*1750mm	260	180	180	260	80*500	伺服1.5KW Servo1.5KW	87	3KW	180	3.0*30*2750mm (8*20mm)	109齿复合轮 Composite wheel with 109 teeth	尼龙压轮 Nylon press wheel	2.3KW
	2000	8-80	260		0.12-0.50	2020	380V 50HZ 4.0KW	50-70	4800	2700mm*5680mm*1750mm	298	200	200	298	80*500	伺服1.5KW Servo1.5KW	87	3KW	200	3.0*30*3500mm (8*20mm)	110齿复合轮 Composite wheel with 110 teeth	尼龙压轮 Nylon press wheel	2.3KW
	2500	8-80	260		0.12-0.45	2520	380V 50HZ 4.0KW	50-70	5200	2700mm*7080mm*1750mm	298	200	200	298	80*500	伺服1.5KW Servo1.5KW	87	3KW	200	3.0*30*4000mm (8*20mm)	111齿复合轮 Composite wheel with 111 teeth	尼龙压轮 Nylon press wheel	2.3KW
打纬机构 Beating Mechanism				开口机构 Shedding Mechanism				送经机构 Let-off Mechanism				配套设备 Corollary Equipment											
曲轴 Crankshaft		编码器 Encoder	箱座参数 (成品尺寸) Sley parameters (finished size)	衬板参数 (mm) Liner parameters (mm)	凸轮总成 Cam set assembly		综框总成 Heald frame assembly			后罗拉张力总成 Rear roller tension assembly	经轴总成 Warp beam assembly		送经变速箱总成 Let-off gearbox assembly		后墙板 Rear panel	底座 Base	前支梁 Front strut	大梁 Girder	储纬器 Weft feeder				
曲轴 Crankshaft	连杆 Connecting rod				轴承 Bearings	凸轮轴 Camshaft bearing	凸轮 Cam	综框材质 Heald frame material	综框导向架 Heald frame guides	综腿及配件 Heald legs and accessories	后罗拉轴 Rear roller	大经轴 Large warp beam (mm)	经轴大小齿轮 Warp beam size gears	减速机 Reducer SAF						伺服电机 Servo motor			
75	大头 Big Head	√	65	30*170	55	55	扁铁/铝合金 strap iron/aluminium alloy	焊接 weld	自己做 do it oneself	180	400*1570	M8*75+M8*19	77	1.5KW	直拉数控 Straight-pull CNC	方管 Square tube	30*300mm	200槽钢 200 channel steel	立式滚筒 Vertical drum				
75	大头 Big Head	√	65	30*170	55	55	扁铁/铝合金 strap iron/aluminium alloy	焊接 weld	自己做 do it oneself	180	400*1870	M8*75+M8*19	77	1.5KW	直拉数控 Straight-pull CNC	方管 Square tube	30*300mm	201槽钢 201 channel steel	立式滚筒 Vertical drum				
75	铜套 Copper bush		PKT10 55.5-1074R	75	30*300	55	扁铁/铝合金 strap iron/aluminium alloy	焊接 weld	自己做 do it oneself	200	400*2270	M8*75+M8*19	77	1.5KW	直拉数控 Straight-pull CNC	方管 Square tube	30*300mm	202槽钢 202 channel steel	立式滚筒 Vertical drum				
75	铜套 Copper bush			75	30*300	55	扁铁/铝合金 strap iron/aluminium alloy	焊接 weld	自己做 do it oneself	200	400*2770	M8*75+M8*19	77	1.5KW	直拉数控 Straight-pull CNC	方管 Square tube	30*300mm	203槽钢 203 channel steel	立式滚筒 Vertical drum				



平纹编织
Plain Weave



4综斜纹编织
Twill Weave 4 Bonded



平纹席型网
PDW Plain Dutch Weave



斜纹席型网
DTW Dutch Twilled Weave

设备占地面积:1米左右为共用通道
Equipment floor space: around 1 meters as the shared channel

数控重型织网机

DIY HEAVY FULL PLC CONTROL WEAVING MACHINE

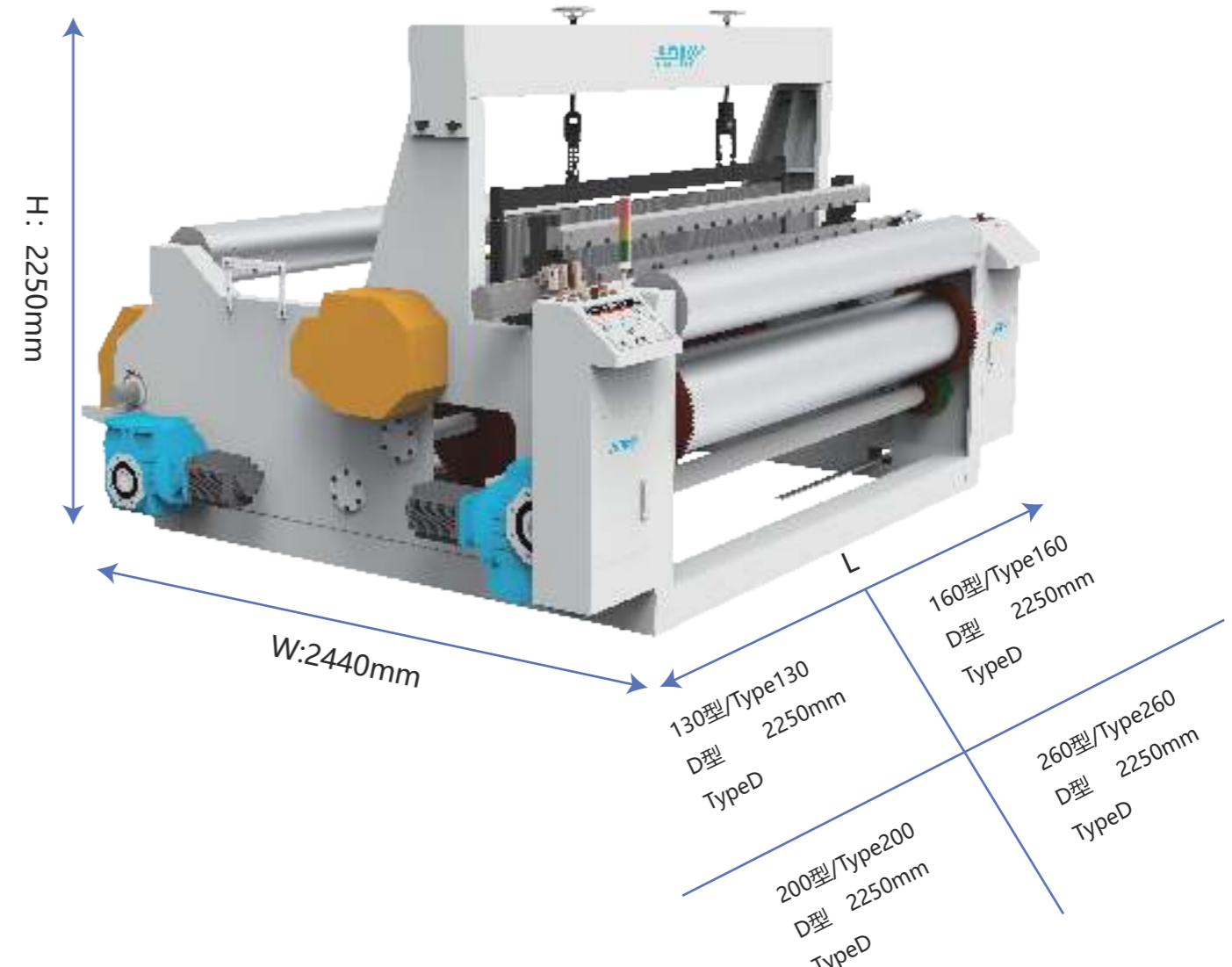
特点和功能

定制型重型数控金属丝网织机，适用于织造建筑用织物、运输带织物和钢缆重型织物的织机和造纸工业。这款重型工业织机经过设计、开发和制造，旨在满足市场对最重金属织物的需求，其编织幅宽从1.6米到6米及以上。引纬系统能够编织以下纬纱材料：轧花丝或扁丝，以及直径最小0.10毫米至最大2.0毫米的柔性或高弹性金属丝。该设备适用于以下材料的织造：不锈钢、高强度碳钢、高含量合金丝等。

Features and Application

Customized heavy duty PLC control weaving machine for metal wire mesh machine, suitable for weaving architectonic fabrics, transport belt fabrics and steel cable heavy fabric loom and paper industry. This heavy industrial weaving machine has been designed, developed and manufactured to satisfy the market requirements of heaviest metal fabric with weaving width from 1.6 up to 6 meters and more. The rapier system allows to insert the weft materials as: pre-crimped or flat, as well as flexible or rigid metal wires with a minimum diameter from 0.10 up to maximum 2.0 mm.

This equipment was suitable for weaving with following materials: stainless steel, high tensile carbon steel, high content alloys etc.



大无梭织机 Large Wire Weaving Machine														
No.	机器名称/型号 Machine name and model	目数 Mesh number	丝径范围 Wire diameter range	编织宽度 Weaving Width (mm)	速度 Speed (times/mints)	卡纬次数 Number of weft stuck	引纬 Weft insertion	卷网/送经 Cloth/Warp	主电机功率 Main motor power (380V50Hz)	重量 Weight (Tons)	底座尺寸 Base size (mm)	主要编织规格 Main weaving specification	集装箱型号 Container type	曲轴直径 Crankshaft diameter
1	大无梭1300D Large1300D	8-80/4-60	<0.80mm	1300	50-70	1	CNC2.6KW	Servo motor+ loom reducer 3.8KW/ 2.6KW	4.0KW	6.5	2250x2700x2250	8mesh/0.80mm 12mesh/0.70mm 14mesh/0.60mm 18mesh/0.50mm 20mesh/0.50mm 30mesh/0.30mm 40mesh/0.27mm 50mesh/0.22mm 60mesh/0.19mm 80mesh/0.14mm	Open-top	100mm
2	大无梭1600D Large1600D	8-80/4-60	<0.80mm	1600	50-60	1	CNC2.6KW		4.0KW	7	2250x3000x2250	8mesh/0.80mm 12mesh/0.70mm 14mesh/0.60mm 18mesh/0.50mm 20mesh/0.50mm 30mesh/0.30mm 40mesh/0.27mm 50mesh/0.22mm 60mesh/0.19mm 80mesh/0.14mm	Open-top	100mm
3	大无梭2000D Large2000D	8-80/4-60	<0.80mm	2000	40-60	1	CNC2.6KW		4.0KW	8	2250x2400x2250	8mesh/0.80mm 12mesh/0.70mm 14mesh/0.60mm 18mesh/0.50mm 20mesh/0.50mm 30mesh/0.30mm 40mesh/0.27mm 50mesh/0.22mm 60mesh/0.19mm 80mesh/0.14mm	Open-top	100mm
4	大无梭2500D Large2500D	8-80/4-60	<0.80mm	2500	40-60	1	CNC2.6KW		7.5KW	10.3	2250x5200x2250	8mesh/0.80mm 12mesh/0.70mm 14mesh/0.60mm 18mesh/0.50mm 20mesh/0.50mm 30mesh/0.30mm 40mesh/0.27mm 50mesh/0.22mm 60mesh/0.19mm 80mesh/0.14mm	Open-top	100mm
重型织机 Heavy Wire Weaving Machine														
No.	机器名称/型号 Machine name and model	目数 Mesh number	丝径范围 Wire diameter range	编织宽度 Weaving Width (mm)	速度 Speed (times/mints)	卡纬次数 Number of weft stuck	引纬 Weft insertion	卷网/送经 Cloth/Warp	主电机功率 Main motor power (380V50Hz)	重量 Weight (Tons)	底座尺寸 Base size (mm)	主要编织规格 Main weaving specification	集装箱型号 Container type	曲轴直径 Crankshaft diameter
1	重型无梭1600DZ Heavy1600DZ	8-80/4-60	<0.80mm	1600	50-60	1 or 2	CNC2.6KW	Servo motor 5.5KW/ 2.6KW	5.5KW	8	2800x4800x2150	12mesh/0.80mm 14mesh/0.70mm 18mesh/0.60mm 20mesh/0.55mm 30mesh/0.40mm 40mesh/0.30mm 50mesh/0.25mm 60mesh/0.20mm 80mesh/0.15mm	Flat rack	110mm
2	重型无梭2000DZ Heavy2000DZ	8-80/4-60	<0.80mm	2000	40-60	1 or 2	CNC2.6KW		5.5KW	9.5	3050x4040x2250	12mesh/0.80mm 14mesh/0.70mm 18mesh/0.60mm 20mesh/0.55mm 30mesh/0.40mm 40mesh/0.30mm 50mesh/0.25mm 60mesh/0.20mm 80mesh/0.15mm	Flat rack	110mm
3	重型无梭2500DZ Heavy2500DZ	8-80/4-60	<0.80mm	2500	30-50	1 or 2	CNC2.6KW		7.5KW	12	3100x4100x2250	12mesh/0.80mm 14mesh/0.70mm 18mesh/0.60mm 20mesh/0.55mm 30mesh/0.40mm 40mesh/0.30mm 50mesh/0.25mm 60mesh/0.20mm 80mesh/0.15mm	Flat rack	110mm
定制重型织机 Customized Heavy Wire Weaving Machine														
No.	机器名称/型号 Machine name and model	目数 Mesh number	丝径范围 Wire diameter range	编织宽度 Weaving Width (mtr)	速度 Speed (times/mints)	卡纬次数 Number of weft stuck	引纬 Weft insertion	卷网/送经 Cloth/Warp	主电机功率 Main motor power (380V50Hz)	重量 Weight (Tons)	底座尺寸 Base size (mm)	主要编织规格 Main weaving specification	集装箱型号 Container type	曲轴直径 Crankshaft diameter
1	超重型无梭D/D Extra-heavyD/D	4-60	<1.2mm	1.6-6.0 mtr	20-40	1 or 2	CNC2.6KW	Servo motor 7.3KW/3.8KW	7.5KW	13T-35T	Length:3500mm Width:Weaving Width+2500mm Height:2560mm	4mesh/1.20mm 8mesh/1.00mm 10mesh/0.90mm 12mesh/0.80mm 14mesh/0.70mm 20mesh/0.55mm	Flat rack	120mm



平纹编织
Plain Weave



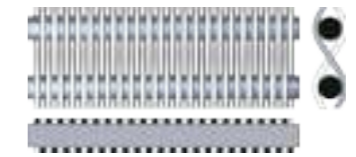
平纹席型网
PDW Plain Dutch Weave



斜纹席型网
DTW Dutch Twilled Weave



4综斜纹编织
Twill Weave 4 Bonded



反向平纹席型网
RPD Reverse Plain Dutch Weave



反向斜织席型网
TRD Twilled Reverse Dutch Weave

设备占地面积:1米左右为共用通道
Equipment floor space: around 1 meters as the shared channel

数控整经机

ELECTROL WARPING MACHINE FOR WEAVING MACHINES

特点和功能

该整经机适用于从左侧或右侧整经，也可在筒管/带法兰的梁上进行整经。滚筒直径从 320 毫米到最大 1200 毫米，整经宽度在 100 至 6000 毫米之间。如有需要，我们还可提供单独的整经配件，如排扇、上轴车等。

通过安装在整经车上的键盘和显示器，可以设置和控制：

- 通过称重传感器调节整经张力；
- 自动计算斜坡高度；
- 显示每分钟整经速度和每分钟层数的指示器；
- 整经圈数

Features and Application

This warping machine is appropriate to warp from the left or right side as well as on Canisters / flanged beams. Roller diameters from 320 up to max.1200 mm and warp width between 100 until 6000 mm. On request we also deliver the separate warping accessories such as warp spool creel, transport carriage etc.

By the use of the keyboard and the monitor which are installed on the warp cart it is possible to set and control:

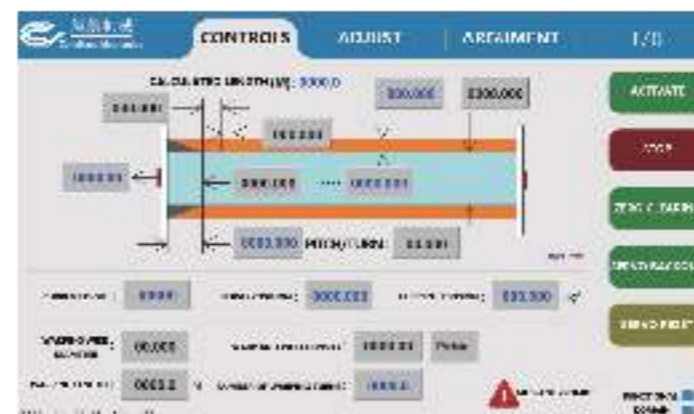
- Warp tension by load cell;
- Automatic to calculation the ramp height;
- Warp speed with indicator meter/min and layers/min.;
- Number of warped turns.



上轴车
Transport Carriage

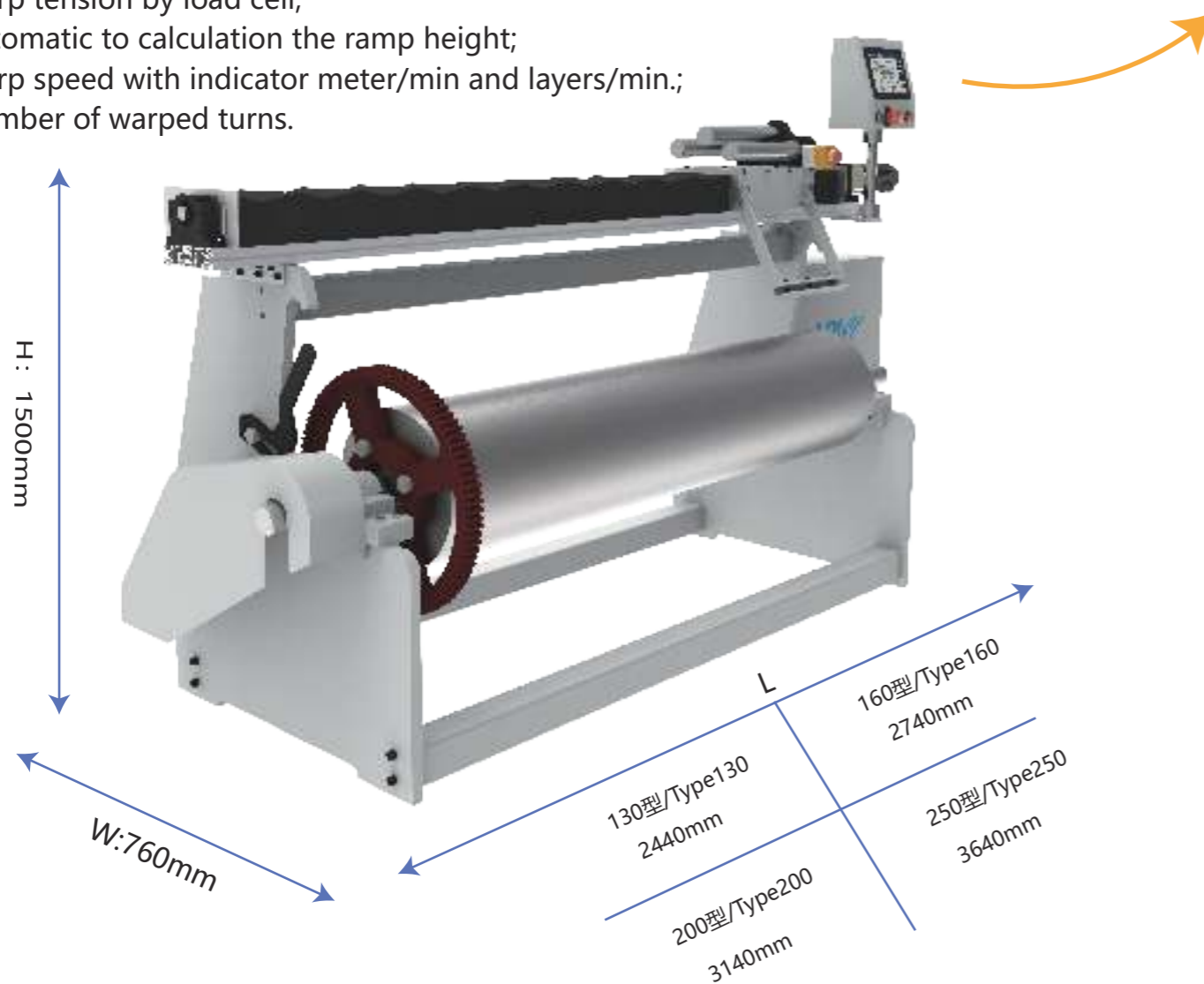


排扇
Warp Spool Creel



其他语言可以定制

Other languages can be customized



技术参数 Technical Parameter	
机器型号 Machine Type	WB1300
整经幅宽 Warping(Weaving) width	1300-2500mm
使用丝径范围 Wire diameter range	0.02-0.6mm
滑台最大行程 Maximum Slide Travel	Weaving width + 200mm
张力显示精度 Tension Display Accuracy	0.1kg
转速 Running Speed	0-35转/分钟; 1.5千瓦减速电机, 变频器调速 0-35turns/mints. 1.5KW reducer motor with the frequency control
控制方式 Control Model	按钮+遥控+脚踏开关点动 Buttons + Remote Control + Pedal Switch Motor

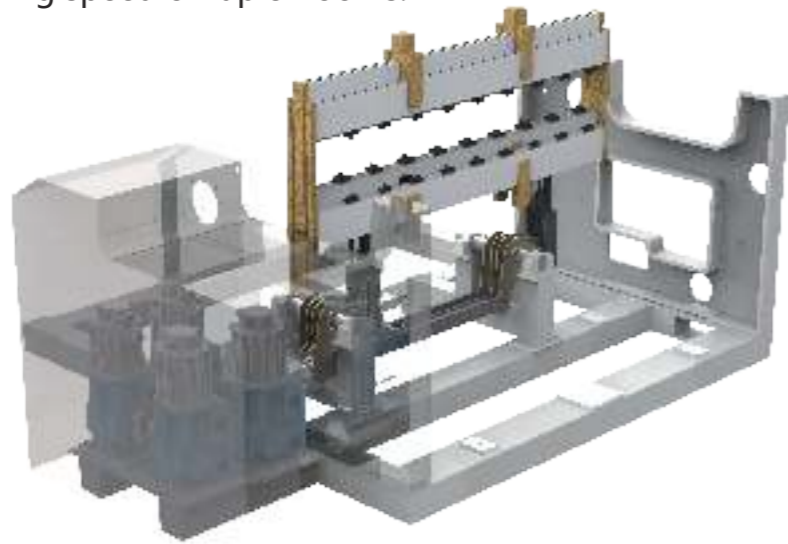
TECHNOLOGICAL CRYSTALLIZATION

特点和功能

在微孔金属丝网编织中，对综片和综框的质量要求要高于非金属丝的纺织机械。金属丝在编织过程中的张力也远高于非金属丝。就目前技术而言，伺服多臂承载力更强，更适合微孔金属丝网织机。在微孔金属丝网织机中，剑带织机的速度是最快的。目前双剑带金属丝网织机的最高编织速度已经达到了700转/分。伺服多臂开口的运动速度完全可以跟上剑带织机的编织速度。

Features and Application

In the weaving of micro-porous metal wire mesh, the quality requirements for heddles and heddle frames are higher than those for non-metallic wire textile machinery. The tension of metal wire during the weaving process is also much higher than that of non-metallic wire. At present, servo multi-arm has a stronger carrying capacity and is more suitable for micro-porous metal wire mesh looms. Among micro-porous metal wire mesh looms, rapier looms have the fastest speed. Currently, the highest weaving speed of double rapier metal wire mesh looms has reached 700 revolutions per minute. The movement speed of servo multi-arm opening can fully keep up with the weaving speed of rapier looms.



电子开口的机能与特征 Functions and characteristics of electronic shedding	电子开口 Electronic shedding	电子多臂 Electron multiarm	凸轮 CAM
通过多功能操作屏可自由地进行花样设计 The multi-function operating screen allows you to design freely	Possible	Possible	×
每片综框可自由设定上下不同的静止角 Each piece of heddle frame can be freely set up a different Angle of rest	Possible	×	×
每片综框可以自由设定闭口时间 Closing time can be set freely for each heddle frame	Possible	×	Under certain conditions
对于延伸率比较小的原料，通过改变开口角度实现稳定编织 Refer to the little elongation material, it is possible to do the safe weaving by reduce shedding distance	Possible	×	—
开口装置单独进行自动找断纬 The shedding device automatically finds the broken weft separately	Possible	×	×
圆滑的开口曲线(增加综框-零件的使用寿命) Smooth shedding curve (increases the service life of heddle frames and parts)	Possible	×	Under certain conditions
运转速度与综框数无关 The running speed is independent of the number of heddle frames	Possible	×	×

PATENT QUALIFICATION

QUALITY CONTROL



LETTERS PATENT



HIGH-TECH ENTERPRISE CERTIFICATE

