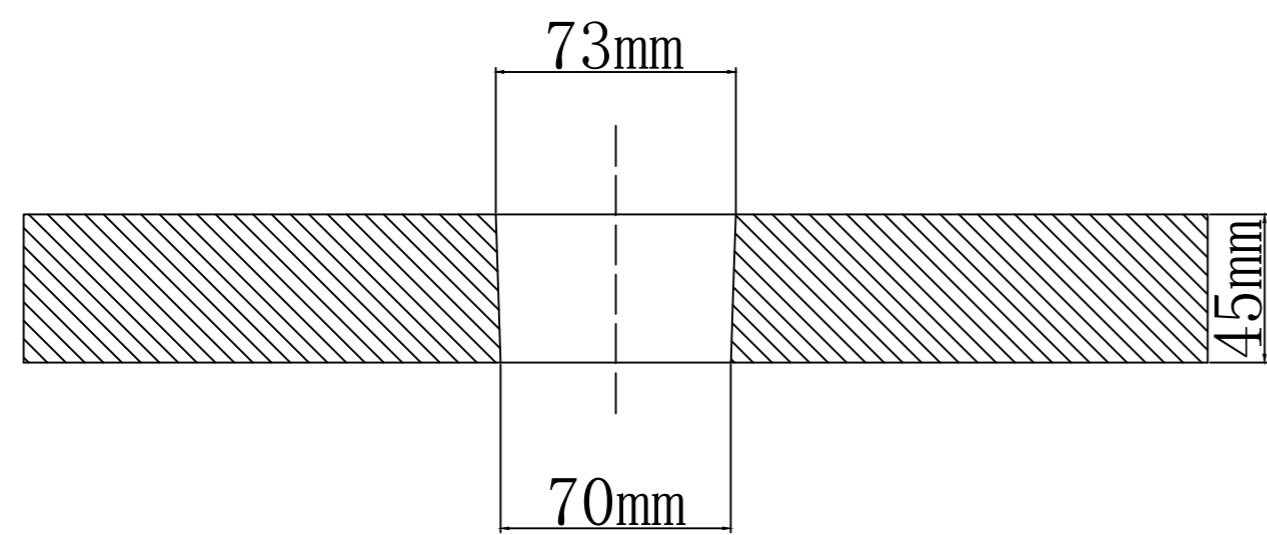
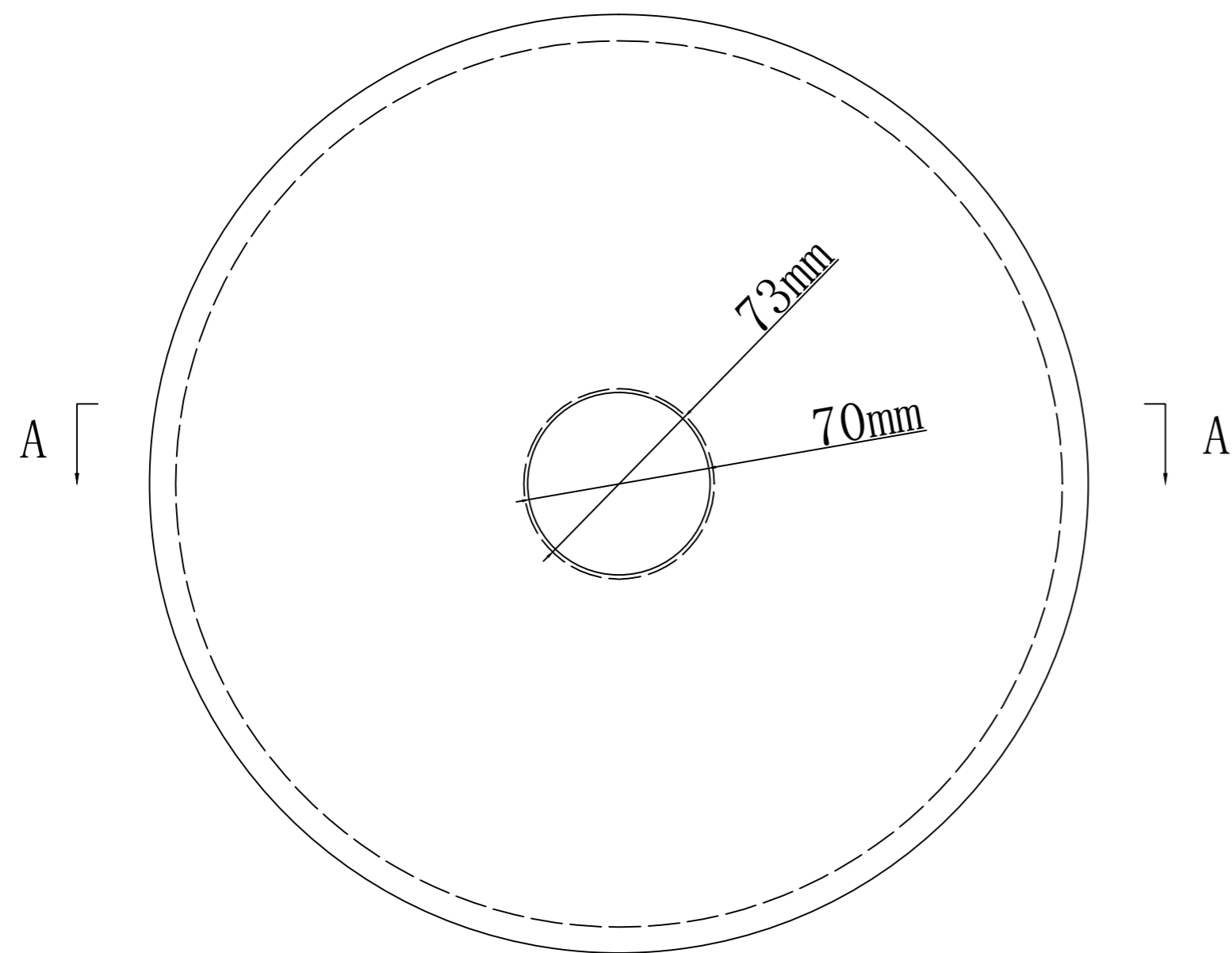
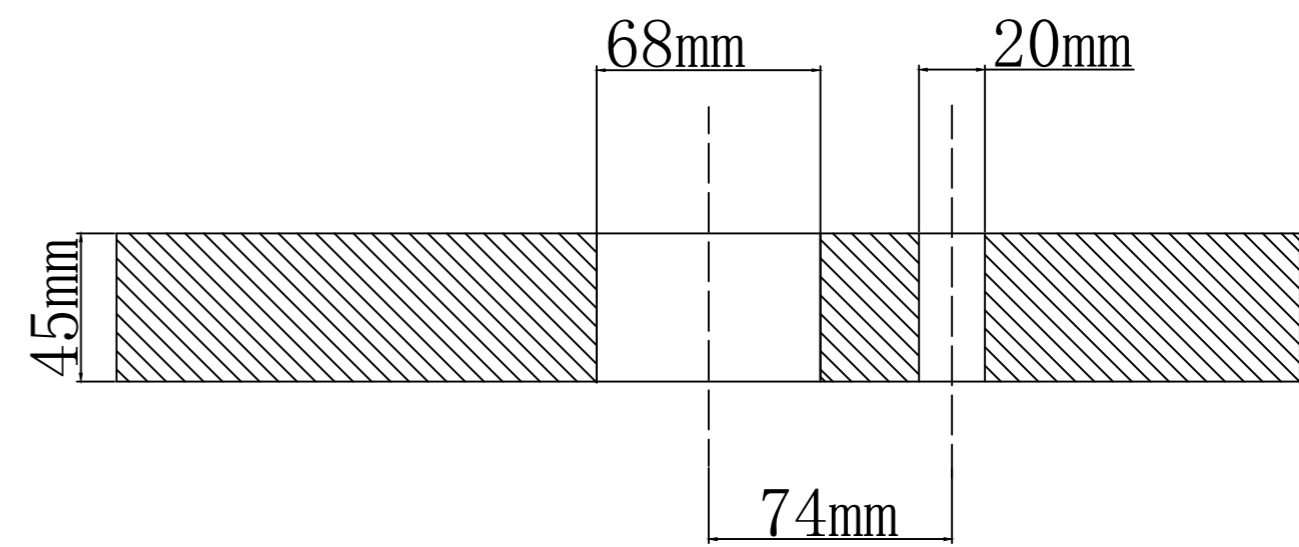
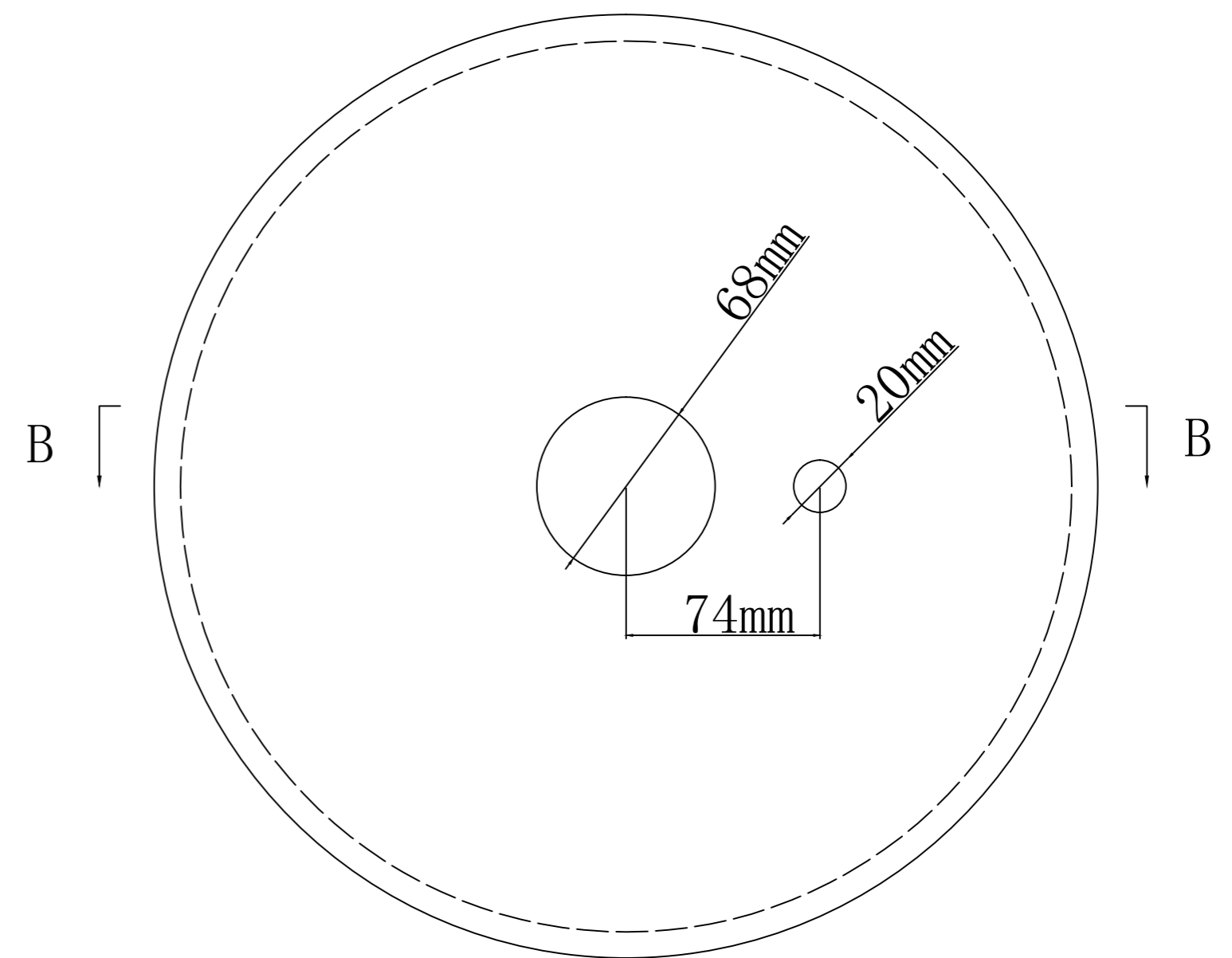


Crimped Wheel-Top



VIEW A-A

Crimped Wheel-Down



VIEW B-B